

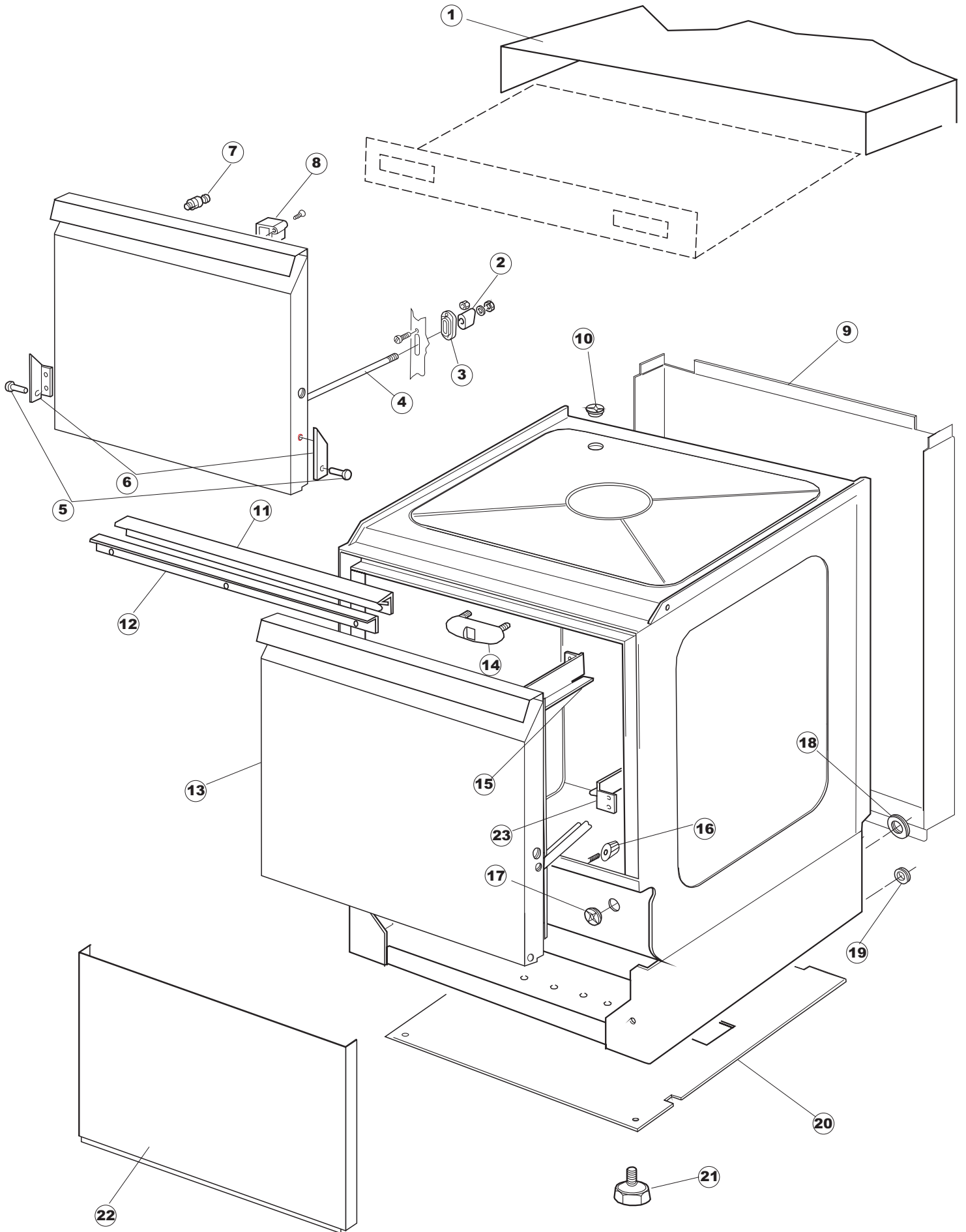
GREENWASH

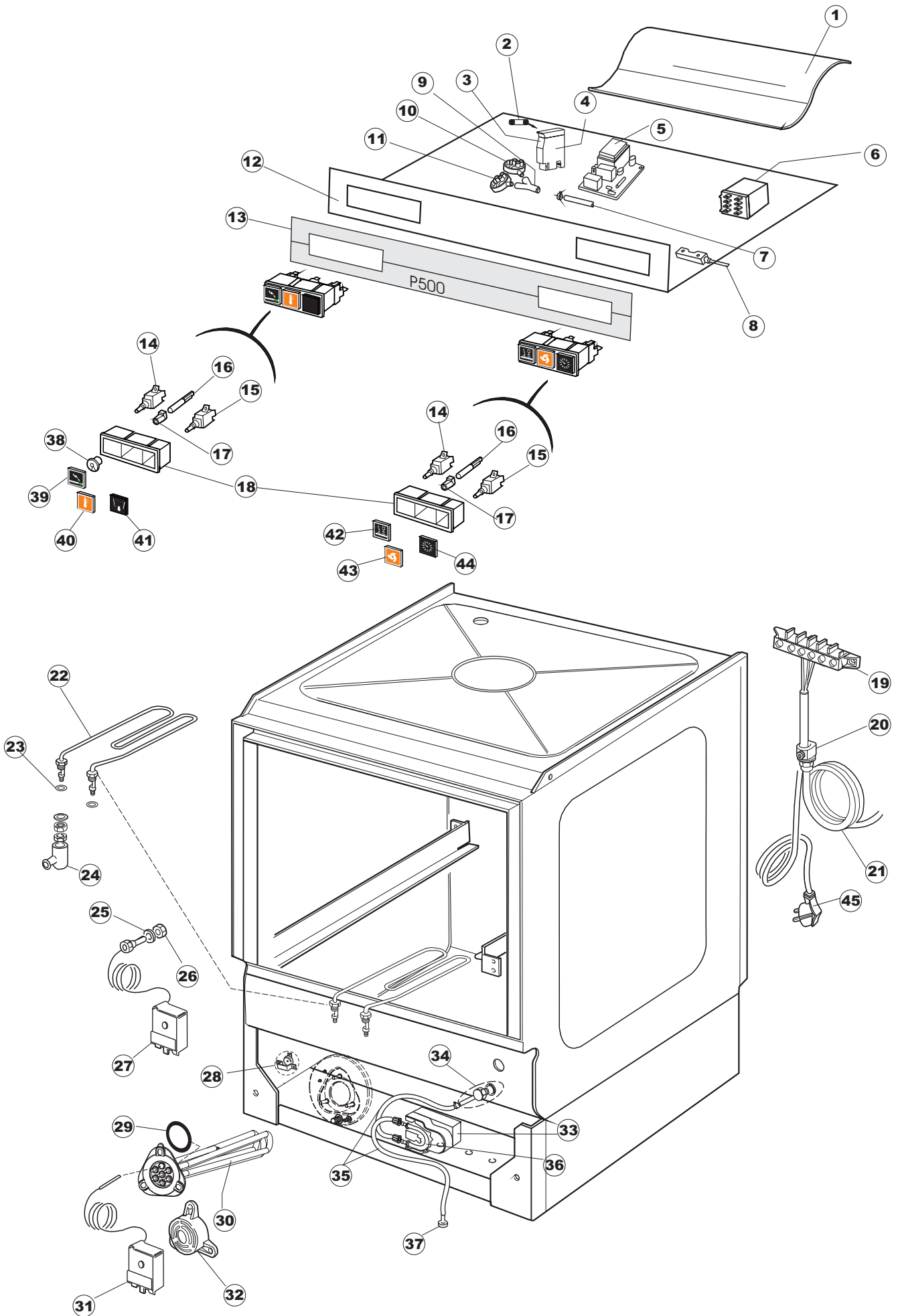
**SPARE PARTS CATALOGUE
ERSATZTEILKATALOG
CATALOGUE PIECES DETACHEES
CATALOGO PARTI RICAMBIO
CATALOGO DE PIEZAS DE RECAMBIO
CATALOGO PEÇAS DE REPOSIÇÃO**

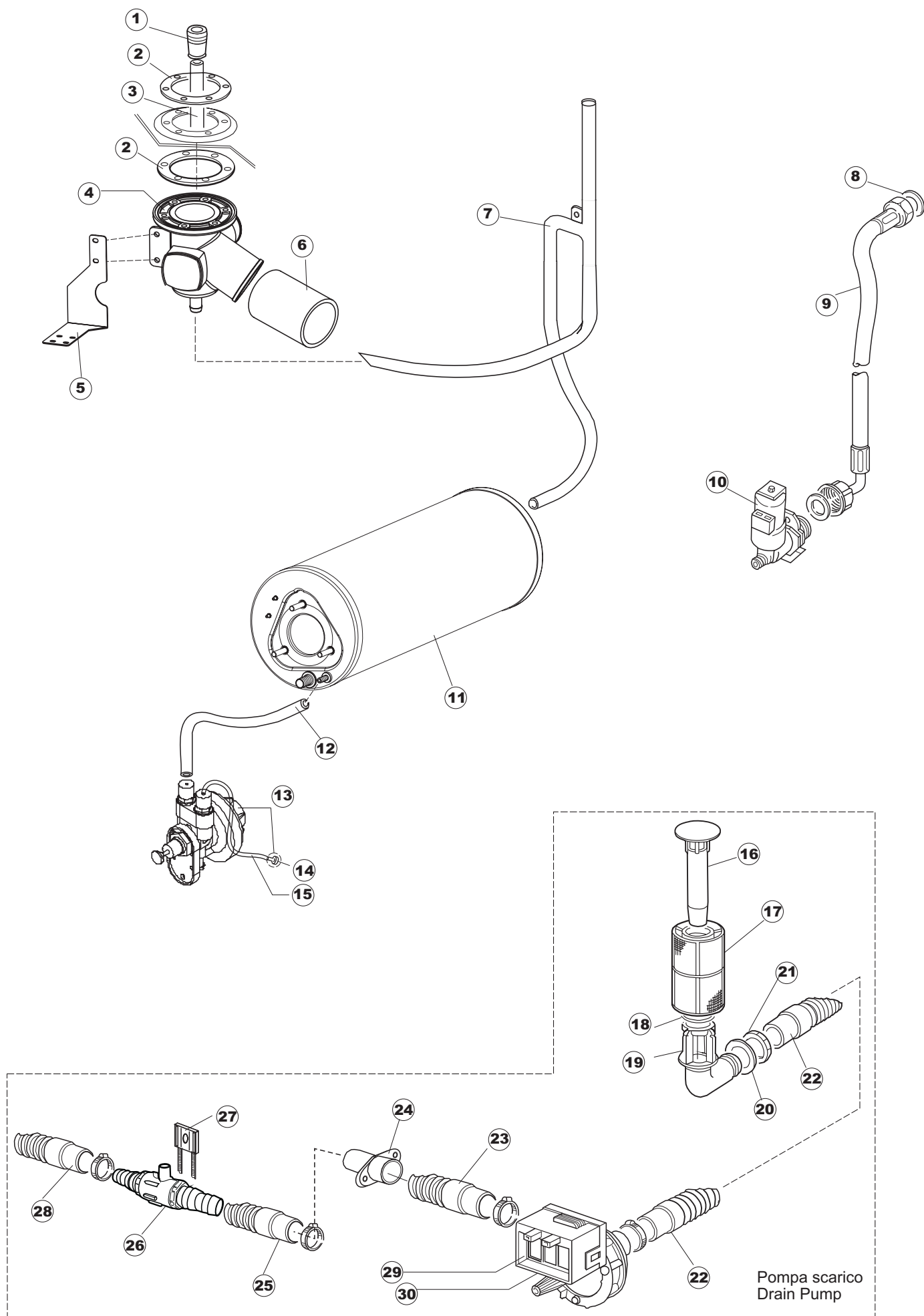
P500

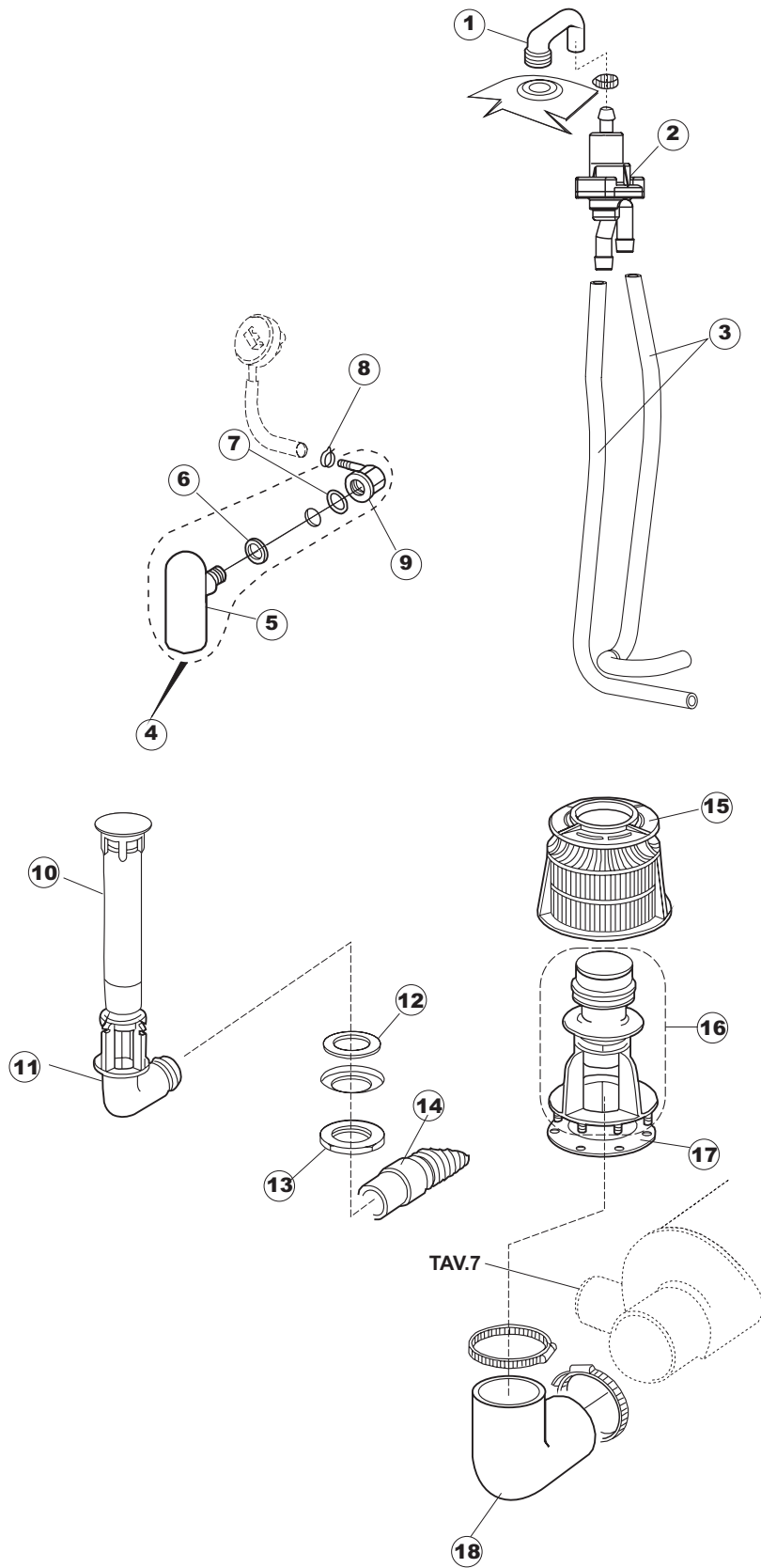
15-04-2009

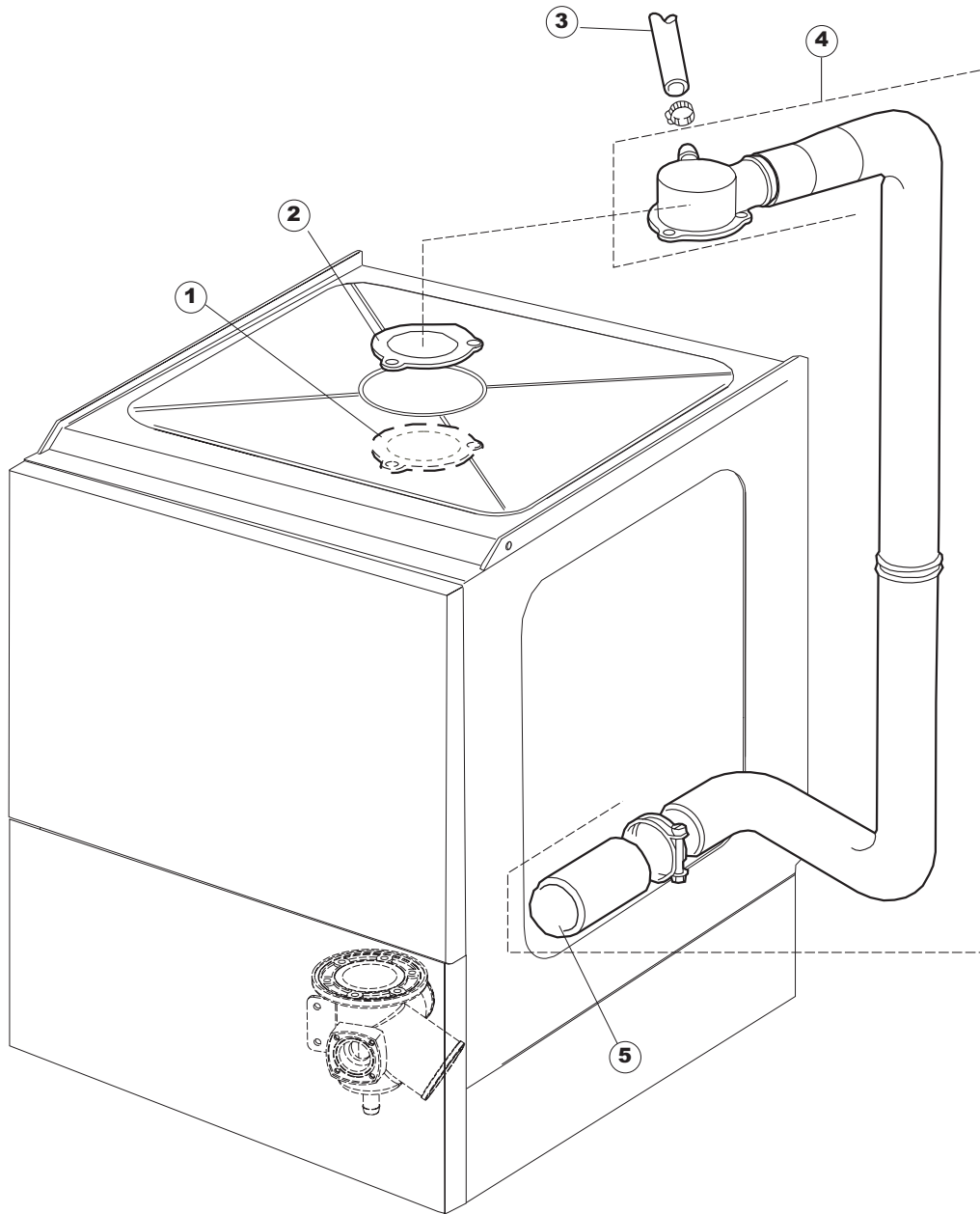
1



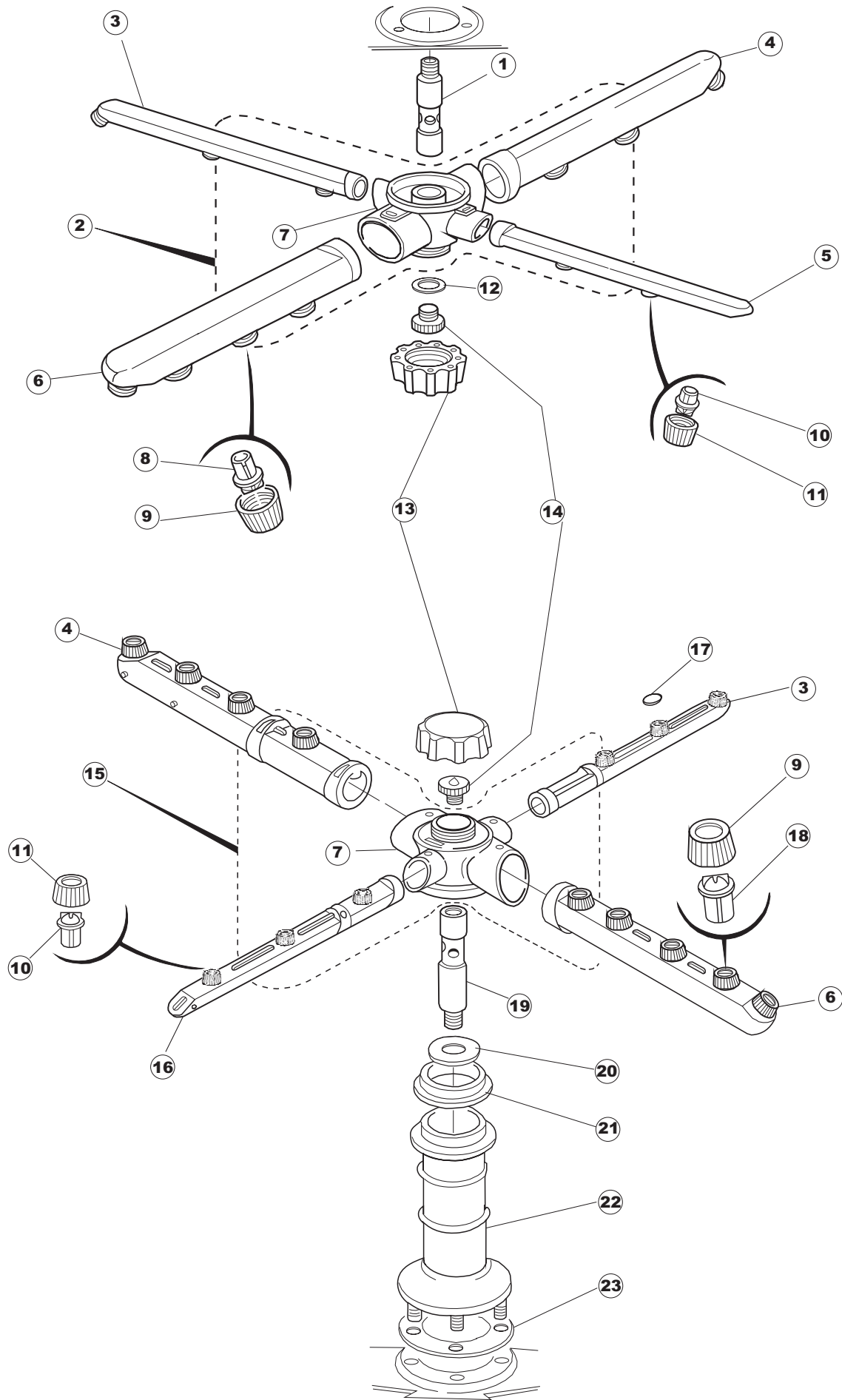








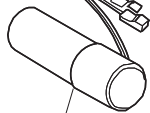
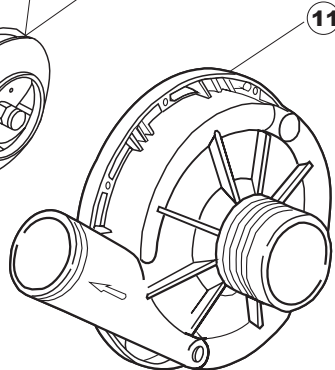
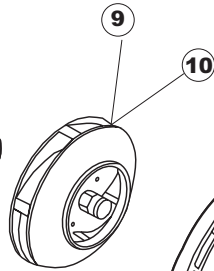
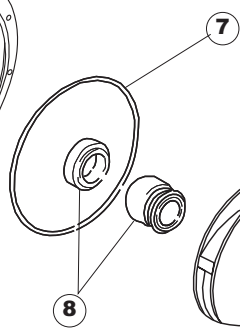
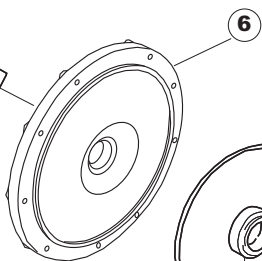
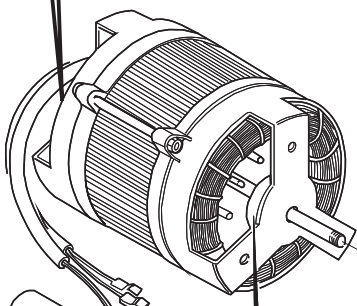
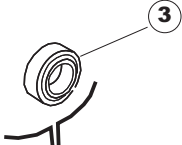
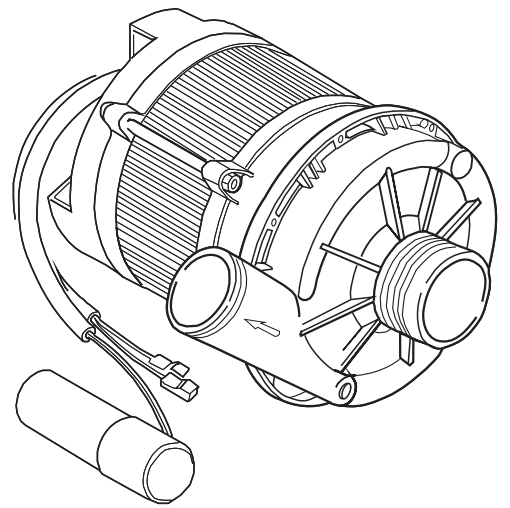
6



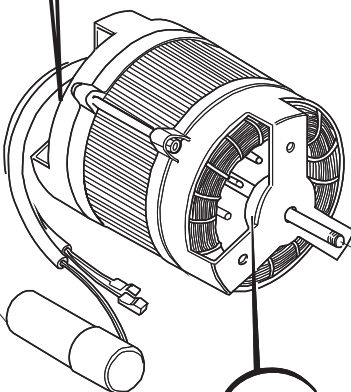
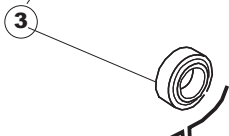
B. 237

1

2



4



3

12

13

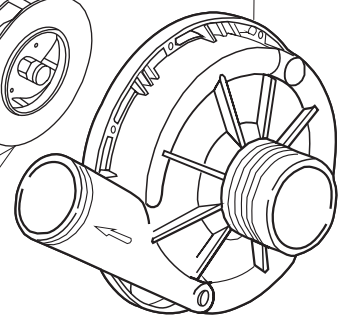
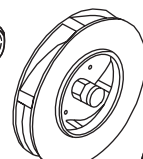
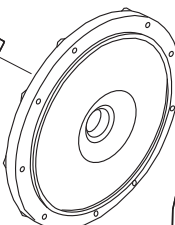
14

15

16

17

T. 173



Page	Spare part position	Code number	Old code number	Description	U. m.	Price
1	1	004066	REB004066	COVER - 50/503	NR	132,02
1	2	417041	REB417041	NUT, DOOR BUFFER	NR	2,77
1	3	307003	REB307003	NUT-LEDGE, FOR ROD	NR	3,88
1	4	304021	REB304021	ROD, DOOR GUIDE 50/500/453/463/503	NR	6,15
1	5	325036	REB325036	PIN, DOOR HINGE 50	NR	3,88
1	6	311019	REB311019	HINGE, DOOR 45/46/50..	NR	5,48
1	7	325066	REB325066	LOCK PIN BETA 246/250	NR	3,02
1	8	999108	REB999108	GRUPPO CALAMITA PORTA 453/463/500/503	NR	6,53
1	9	022095	REB022095	PANEL, REAR CPL 50/503	NR	50,24
1	10	480058	REB480058	CAP, RUBBER D.17	NR	1,13
1	11	437081	REB437081	GASKET, DOOR - 50/503	NR	5,67
1	12	033301	REB033301	BRACKET, FIXED FOR DOOR GASKET 50/503	NR	11,52
1	13	029590		DOOR	NR	184,50
1	14	994012	DWS30	GRUPPO SERRATURA EB/F 22/44	NR	11,95
1	15	015064		RACK SLIDE SX.	NR	8,75
1	16	408006	REB408006	STUD, FOR TANK FILTER - GREY	NR	1,35
1	17	480057	REB480057	CAP, RUBBER D.14	NR	1,35
1	18	459004	REB459004	PIPEHOLDER, RUBBER DI.34	NR	2,21
1	19	459006	REB459006	FAIRLEAD, Di9/De16 22	NR	0,38
1	20	030080	REB030080	PROTECTION, LOW. SOCLE 50/503	NR	31,59
1	21	461019	REB461019	FOOT, ADJUST. D30 M8	NR	2,21
1	22	012326		FRONT PANEL	NR	41,18
1	23	015063		RACK SLIDE DX.	NR	10,00
2	1	214108		TRANSPARENT PROTECTION FOR ELECTRIC INSTALLATION FOR DISHWASHER	NR	6,25
2	2	228010		FUSE	NR	0,60
2	3	210010		FUSE-HODER	NR	6,16
2	4	210011		PLATE	NR	1,26
2	5	215029		MAIN BOARD	NR	73,50
2	6	229039		RELAY 62.82.8.230.0300	NR	25,34
2	7	143013	REB143013	PIPE, PVC GREEN 4X7	MT	2,21
2	8	211002	REB211002	CONTACT, MAGNETIC+CABLE 302N.Ocm25	NR	11,89
2	9	035031	REB035031	UNION, Y-TYPE, PRESSURE SWITCH 760	NR	3,88
2	10	224010		PRESSURE SWITCH, DRAIN PUMP SAFETY 110/75	NR	19,39
2	11	224003	REB224003	PRESSURE SWITCH - 55/35	NR	18,73
2	12	025368		PANEL, INOX S.M.83 (*)	NR	35,71
2	14	208010	REB208010	SWITCH, DOUBLE - 35/40/50	NR	5,37
2	15	226071	REB226071	PB W/DOUBLE CONTACT 35/40/50	NR	5,37
2	16	216006	REB216006	WARNING LAMP, WHITE	NR	3,88
2	17	299035	REB299035	SUPPORT, LAMP 35/40/50	NR	1,35
2	18	226074	REB226074	SWITCH HOLDER SQ-3 BLACK	NR	3,88
2	19	220011	REB220011	* TERMINAL BOARD, 5-POLES + EARTH FV.122	NR	6,96
2	20	459005	REB459005	CABLE CLAMPS, STEAB art.5024	NR	3,88
2	21	204034		CABLE, [CE] H07RNF 5x1.5x3,0mt	NR	21,31
2	22	230086	REB230086	RESISTANCE, TANK 2700W/220V-3200W/240V 22/44/50	NR	45,61
2	23	456015	REB456015	O-ring 112 9.92X2.62	NR	1,13
2	24	463007	REB463007	LUG, RESISTANCE PROTECTION	NR	2,21
2	25	437030	REB437030	GASKET, D14D22S1.5 FIBRE	NR	2,85
2	26	417017	REB417017	NUT, TANK THERMOSTAT	NR	2,21
2	27	236042	REB236042	THERMOSTAT, TANK TR711 Tf-53ø	NR	23,89
2	28	236047	REB236047	THERM.,CONT. TANK/S.95ø+/-3ø	NR	6,78

2	29	456002	REB456002	O-ring 48x6,2	NR	1,13
2	30	230116		HEATING ELEMENT 3000W/230V	NR	52,00
2	31	236043	REB236043	THERMOSTAT, BOILER TR711 Tf-83ø	NR	21,85
2	32	69870		BOILER HEATING ELEMENT PROTECTION	NR	1,60
2	33	209021		PERISTALTIC DISPENSER (NBR-3)	NR	183,13
2	34	468151	DZR150NT	UNION, EXTRA DET. CPL NM * WELDED	NR	14,28
2	35	143194	REB143194	PIPE 4x6 CRISTAL, TRANSP.	MT	0,72
2	36	143219	REB143219	TUBE, SANTOPRENE 6X10 FITTINGS+METAL RINGS	NR	19,70
2	37	121075	REB121075	FILTER, SUCT.INOX (775239-001)	NR	11,18
2	38	409001	REB409001	TWO-COLOUR CAM, BLACK OFF / GREENE ON	NR	2,21
2	39	227031	REB227031	KEY, BLACK Q5 SYMBOL LINE "C"	NR	2,77
2	40	207009	REB207009	INDICATOR LAMP, ORANGE, SYMB.THERMOM. "A"	NR	2,21
2	41	227030	REB227030	KEY, Q7 SYMBOL-PS 35/40/50	NR	2,21
2	42	227033	REB227033	KEY, BLACK Q7 SYMBOL TIME "E"	NR	2,21
2	43	207007		INDICATOR LAMP, O ORANGE, SYMB.CYCLE	NR	2,21
2	44	227032	REB227032	KEY, BLACK Q7 SYMBOL CYCLE "D"	NR	2,21
2	45	299040	REB299040	PLUG, SCHUKO 90^ CABL. l=2.5mt	NR	21,31
3	1	441009	REB441009	INSERT, SEAL D10 COLL.S621-	NR	1,35
3	2	437014	REB437014	GASKET, LOWER MANIFOLD S850	NR	2,21
3	3	143174	REB143174	PIPE, WATER LOW.COLL. RINSE 50	NR	4,75
3	4	111030		NEUTRAL LOWER MANIFOLD ASS. E50NM+PLUG	NR	8,92
3	5	035064		BRACKET, DRAIN PUMP FOR MANIFOLD 50NM	NR	15,00
3	6	127026	REB127026	SLEEVE, PUMP DELIVERY 22/500	NR	5,37
3	7	143240		PIPE, H-)COND.UPPER	NR	40,96
3	8	437041	REB437041	GASKET 3/4 GAS LOAD	NR	1,13
3	9	929169	RAT32	TUBO DI CARICO DEL TERMOPLASTICO	NR	17,49
3	10	240011	REB240011	LOADING S.VALVE 1-WAY	NR	10,84
3	11	104060		BOILER	NR	119,00
3	12	143005	SPG10	PIPE, PRESSURE SWITCH TP 5x11 (CASER/15/NL C4N)	MT	11,10
3	13	209025		RINSE AID DISPENSING PUMP	NR	69,72
3	14	121017		FILTER, RINSE-AID SUCT.	NR	1,13
3	15	H.775601		PIPE 4x6 CRISTAL BLUE PVC	MT	0,70
3	16	142053	REB142053	OVERFLOW, DRAIN 50/503 NM	NR	6,53
3	17	121078	REB121078	FILTER, DRAIN PUMP 463/503	NR	7,95
3	18	303019	REB303019	RING, ELASTIC FOR DRAIN PUMP FILTER 503	NR	4,75
3	19	136023	REB136023	DRAIN, BENT 50/503	NR	5,48
3	20	437063	CGG42	GASKET, DRAIN 50	NR	1,35
3	21	417081	CDP2	NUT, PLASTIC 1' - 1/4	NR	2,21
3	22	127050	REB127050	SLEEVE, RIGIDO ASP.P.S. 500/503	NR	9,35
3	23	127044	REB127044	SLEEVE, SUCT.DRAIN PUMP 353/403	NR	5,48
3	24	468152	REB468152	UNION, DRAIN CLEAN.3	NR	3,76
3	25	127037	REB127037	SLEEVE, DRAIN CLEAN.3	NR	4,97
3	26	144003	REB144003	RELIEF VALVE, DRAIN PUMP	NR	11,64
3	27	423024	REB423024	CLAMP, PLAST.FOR DRAIN PUMP PIPE CLAMP.	NR	2,21
3	28	143178	REB143178	PIPE, DRAIN - 50	NR	10,46
3	29	130105	REB130105	DRAIN PUMP (50/503/460/BD18)	NR	59,84
3	30	130150		DRAIN PUMP (50/503/460/BD18) 60HZ	NR	49,69
4	1	143189	REB143189	TUBE, DRAIN SFIATO DVGW CLEAN.3	NR	2,65
4	2	144011	REB144011	CHECK VALVE (EB)	NR	6,72
4	3	143004	REB143004	PIPE, PRESSURE SWITCH TP 10X17 (CASER/15NL C4N)	MT	9,73
4	4	984005	REB984005	GRUPPO CAMPANA PRESSOST.35/40	NR	13,02
4	5	107005	REB107005	PRESSURE SWITCH BELL EB 35/40	NR	3,88
4	6	437019	REB437019	GASKET, CAMP. PRESS. V.M.	NR	1,13
4	7	456020	REB456020	O-ring 3050 R495	NR	1,13
4	8	423011	REB423011	CLAMP, SPRING-TYPE	NR	0,58
4	9	468029	REB468029	UNION, PRESSURE SWITCH BELL	NR	2,09

4	10	142052	REB142052	OVERFLOW 50/503 NM	NR	6,53
4	11	136023	REB136023	DRAIN, BENT 50/503	NR	5,48
4	12	437063	CGG42	GASKET, DRAIN 50	NR	1,35
4	13	417081	CDP2	NUT, PLASTIC 1'- 1/4	NR	2,21
4	14	143178	REB143178	PIPE, DRAIN - 50	NR	10,46
4	15	121052	DAF136U	FILTER, PUMP - 22/44	NR	23,29
4	16	478059		SUPPORT, FILTER GREY+EXTENSION	NR	13,14
4	17	437015	REB437015	GASKET, PUMP FILTER S651-	NR	2,77
4	18	127041	REB127041	SLEEVE, SUCTION 463/503	NR	14,23
5	1	303029	REB303029	RING, DRIPPING 46/50..	NR	15,45
5	2	437064	REB437064	GASKET, MANIFOLD, CENTR.UPP.50	NR	2,21
5	3	143240		PIPE, H-)COND.UPPER	NR	40,96
5	4	115113		PIPE, WASHINGEST.PL.+ SLEV.+115111 SP405	NR	30,98
5	5	127036	REB127036	SLEEVE, LOW.WASH.COND. 50/f	NR	4,75
6	1	327006	REB327006	PIN, LOW.WASH/RINSE 21/453	NR	17,49
6	2	990108		GRUPPO LAV.RISC.SUPER.50/UNIVERSALE	NR	45,42
6	3	106007		RINSE ARM, RH S651-850	NR	5,40
6	4	106006	REB106006	WASH.ARM,LH+ SCREW S651-850-503	NR	6,22
6	5	106005		RINSE ARM, LH S651-850	NR	5,67
6	6	106008	REB106008	WASH.ARM, RH+ SCREW S651-850-503	NR	6,22
6	7	129039	REB129039	WASH-RINSE-ARM ASSB., LOWER 353/403RAL7012	NR	15,52
6	8	140008	REB140008	SPRAY S621-3-31-	NR	2,21
6	9	429007	REB429007	RING NUT, WASHING S621-3-31-3	NR	2,21
6	10	140007	REB140007	SPRAY S621-3-31-	NR	2,21
6	11	429006	REB429006	RING NUT, RINSE S621-3-31-3	NR	2,21
6	12	437100		PACKING	NR	0,55
6	13	447128	REB447128	KNOB, FIX, WASH. GREY	NR	5,67
6	14	454002	REB454002	PAWL 21/31	NR	6,53
6	15	990075	REB990075	GRUPPO LAV./RISC.INFERIORE 503	NR	46,36
6	16	106094		RINSE ARM, LH type A 453/463	NR	4,75
6	17	499009		INOX TABLET	NR	2,21
6	18	140020	REB140020	SPRAY, GREY 11/353/403	NR	1,35
6	19	325093		PIN	NR	10,85
6	20	199045		DISC, WATER FLOW REDUCER 500/510/22/44...	NR	3,88
6	21	199043	REB199043	DISC, WATER FLOW REDUCER PLAST.22/44 NM	NR	4,93
6	22	115075	REB115075	CENTR.PIPELINE - LOWER 50 (H=108)	NR	9,53
6	23	437014	REB437014	GASKET, LOWER MANIFOLD S850	NR	2,21
7	1	130109	REB130109	PUMP HP 0.80 220/240-50 - 50/500	NR	240,00
7	2	130119		PUMP B237 HP 0.80 220/60 50	NR	237,02
7	3	314001	REB314001	BEARING 6201/2Z	NR	54,23
7	4	206003		CONDENSER - 12.5 mF	NR	18,73
7	6	315017	REB315017	FLANGE, W/COVERING DUCT B237	NR	88,58
7	7	437049	REB437049	GASKET, PUMP 2277	NR	17,49
7	8	141002	REB141002	SEAL, MECH., REVOLVING D 12	NR	10,96
7	9	124065		WASH PUMP IMPELLER FOR B237 FOR DISH- WASHER	NR	24,00
7	11	116021	REB116021	PUMP SHELL, B237	NR	23,89
7	12	315022	REB315022	FLANGE, PUMP LGB T-173/174	NR	18,11
7	13	456031	REB456031	O-ring T30-1297 D.2	NR	7,17
7	14	141007	REB141007	SEAL, MECH..D.26x13x5,5 BR.	NR	8,68
7	15	124031	RAG291	IMPELLER, CLOSED 50HZ D.104 T170	NR	16,14
7	16	124053		IMPELLER, CLOSED 60HZ T173-175	NR	16,14
7	17	116019	REB116019	PUMP SHELL, 50 T-173	NR	20,63
7	18	206004	REB206004	CONDENSER - 16 mF	NR	20,70